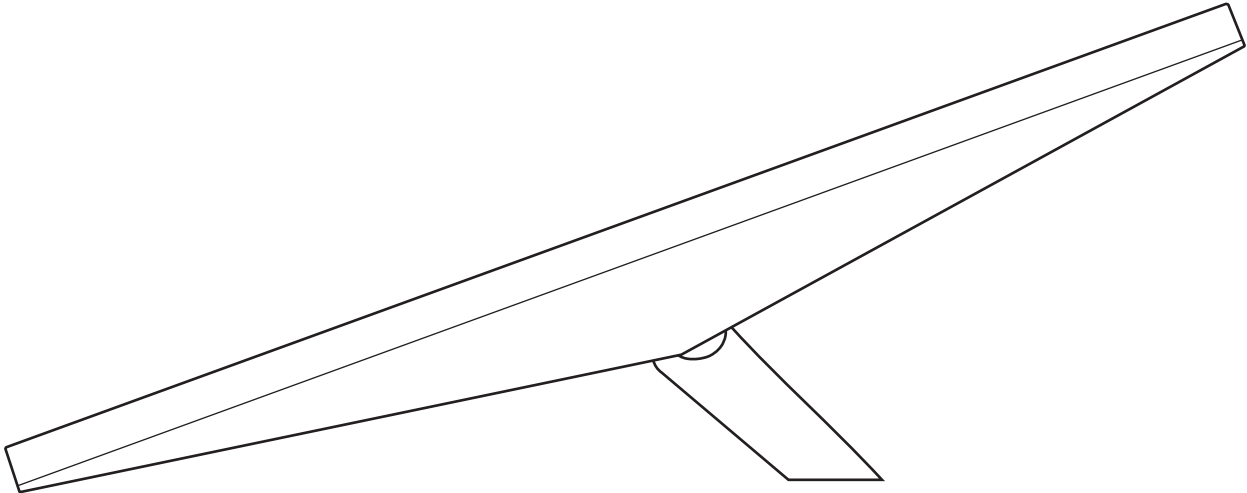
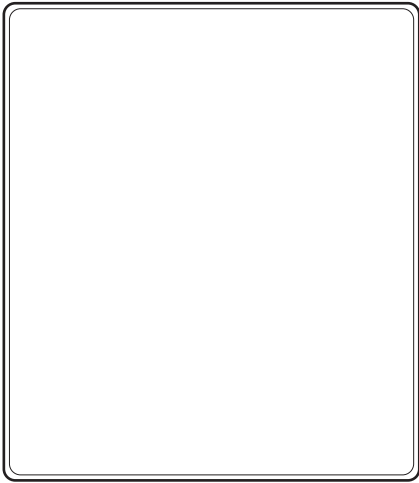


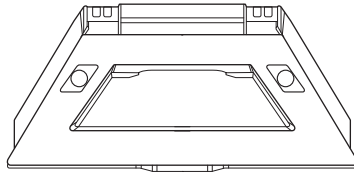
STARLINK | MINI SETUP GUIDE



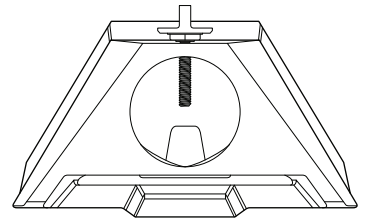
What's In The Box



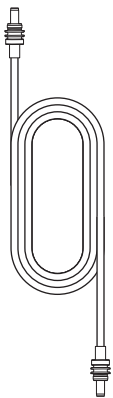
Starlink with Integrated WiFi



Kickstand

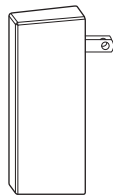


Pipe Adapter



DC Power Cable

15 m
(49.2 ft)



Power Supply



Starlink Plug

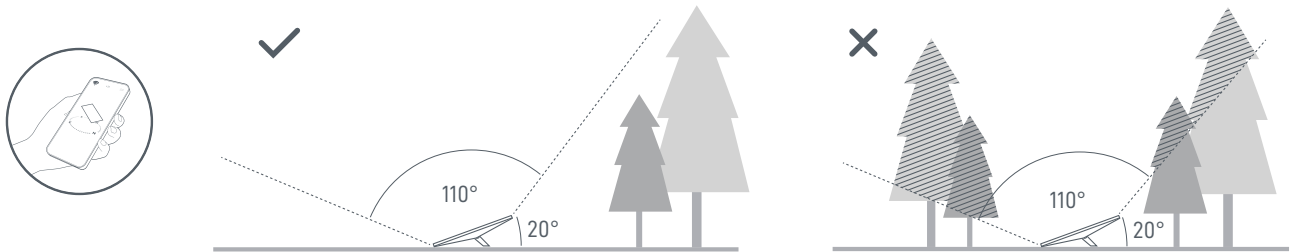
1 | Download the Starlink App

Download the Starlink App and scan the QR code to step through the install process.

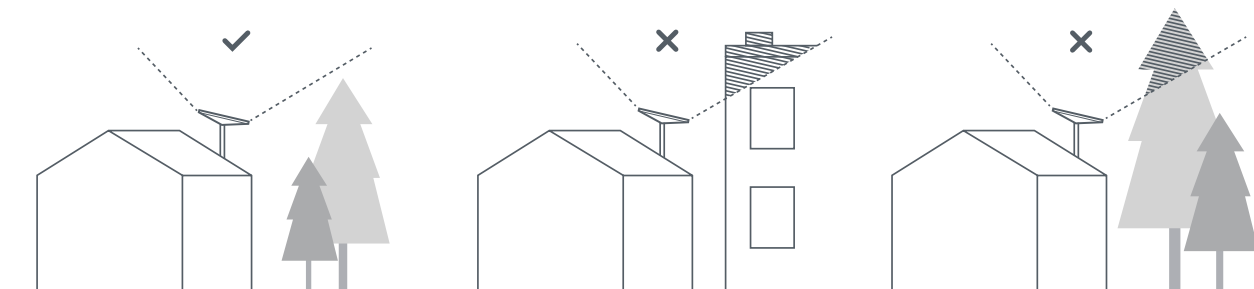


2 | Find A Clear View of Sky and Check for Obstructions

Your Starlink needs a clear view of the sky so it can stay connected with satellites as they move overhead. Objects that obstruct the connection between your Starlink and the satellite, such as a tree branch, pole, or roof, will cause service interruptions. Use the obstruction tool in the App to ensure you have selected a suitable mounting location.



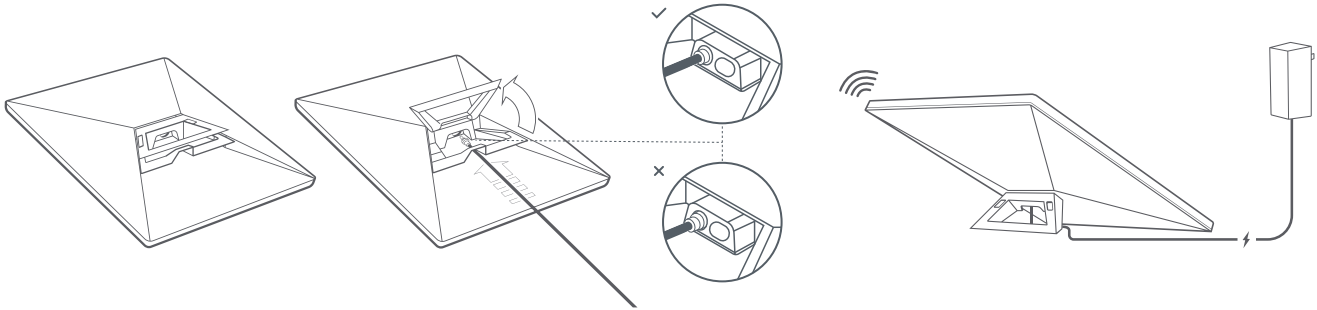
If you could not find a clear field of view from the ground level, consider installing in an elevated location, like a roof, pole, or wall. Additional mounts and accessories are available for purchase on the Starlink Shop.



3 | Plug in Starlink

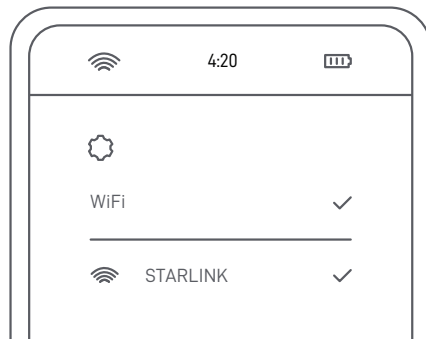
Lift the kickstand and plug one end of the provided cable into your Starlink. Ensure the plug is fully inserted such that the plug face is flush with the surface.

Route the other end of the power cable to your power supply and plug it into a power outlet.



4 | Connect to WiFi

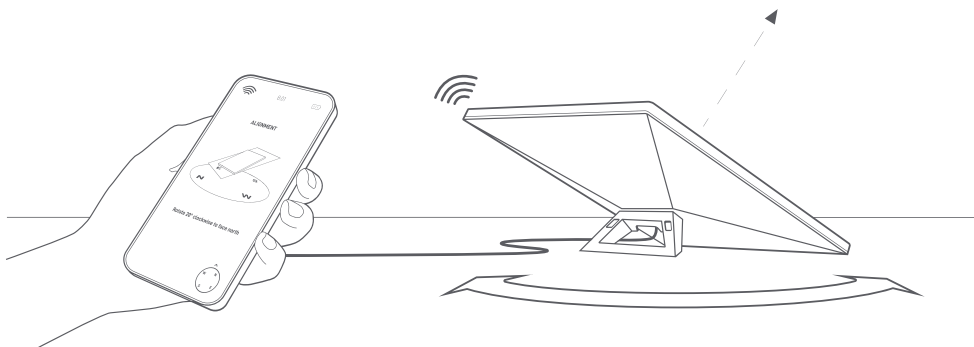
1. On your device, find and connect to the STARLINK network in your WiFi settings.



2. You are now connected! Open the Starlink App to customize additional settings, check your connection, and more.

5 | Align Starlink

An alert on the App will show if you need to rotate Starlink to be properly aligned. Tap the alert to use the alignment tool.



Can't Get Online?

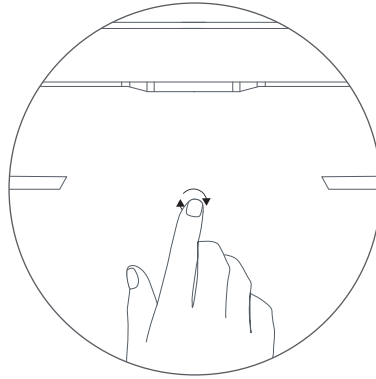
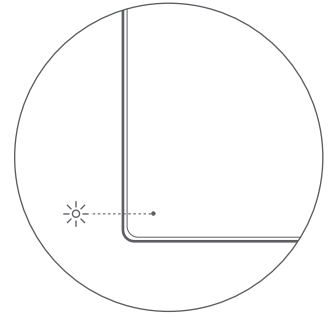
1. Open the Starlink App to check for any alerts, outages, or obstructions.
2. Check the status light on the back of your Starlink.

Slow Blinking ————— Powered on.

No Light ————— No power to Starlink.

Fast Blinking ————— LED will blink quickly for 3 seconds while holding down the reset button, then LED will turn off as your Starlink reboots.

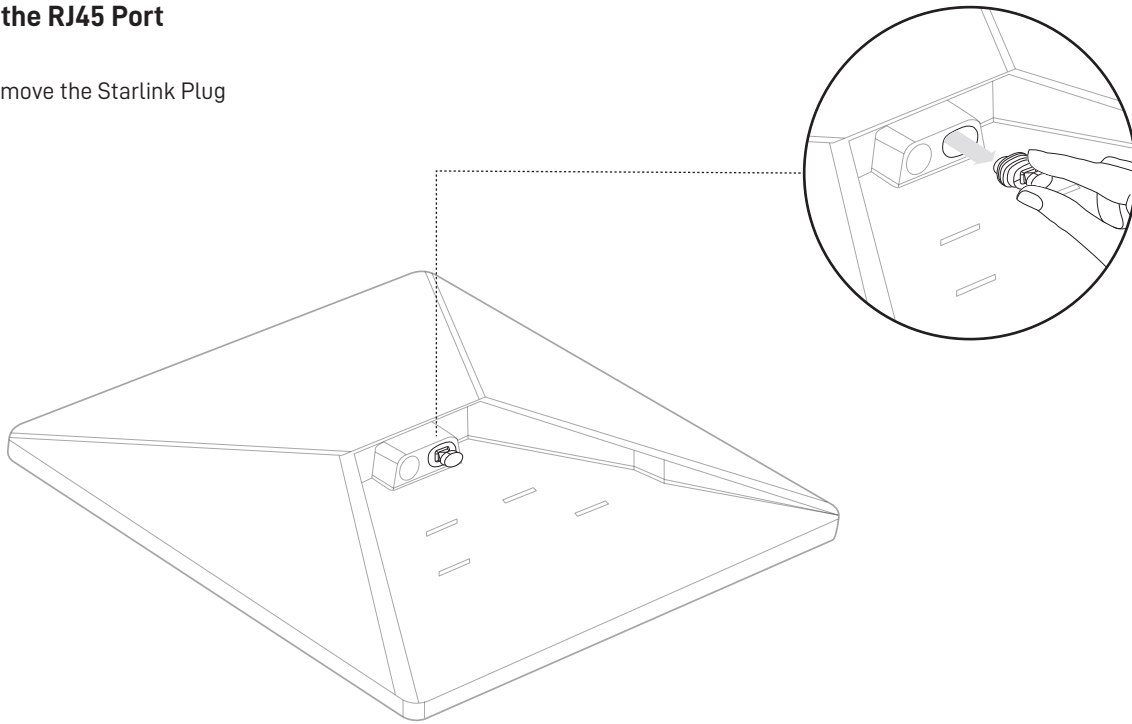
3. Make sure everything is securely plugged in and there is no damage to hardware or cables.
4. Power cycle your Starlink by unplugging from power and then plugging back in.
5. Factory reset the Starlink by locating the reset icon on the back. Press down firmly until you hear a click and hold for 3 seconds. The LED will blink quickly and shutoff when complete.



6. If none of these work, contact Starlink Customer Support in the app or the Support section of starlink.com

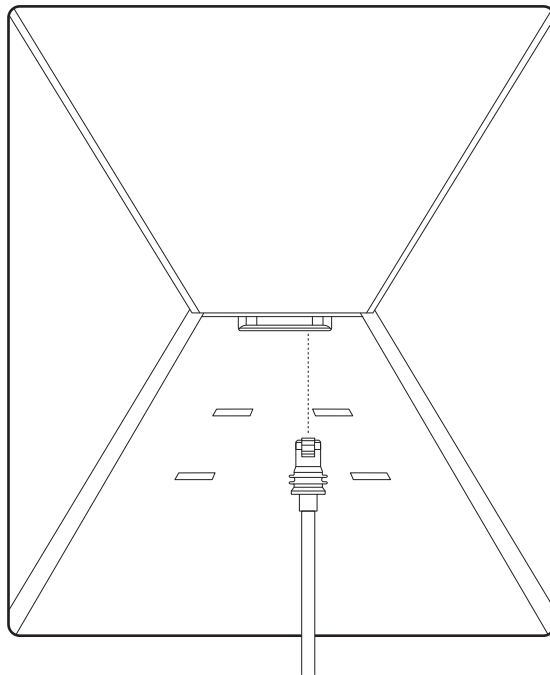
Using the RJ45 Port

1. Remove the Starlink Plug



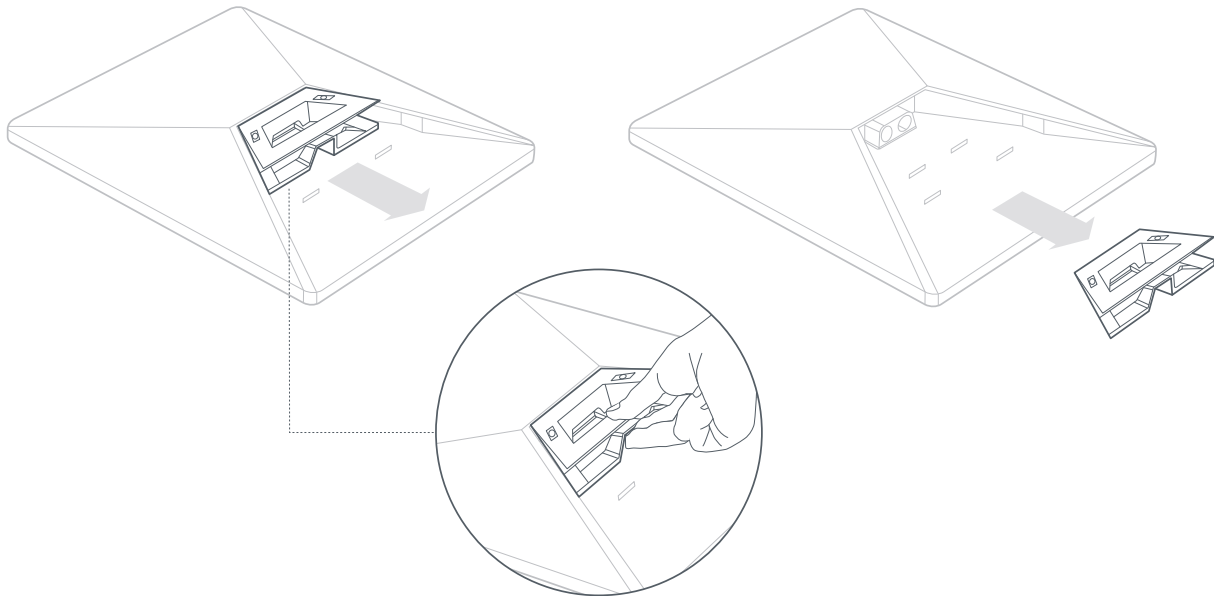
2. Plug in the Mini Starlink Cable available on shop.starlink.com or your own ethernet cable into the port. Connect the other end of your cable to your wired mesh or 3rd party hardware.

Note: This product is no longer rated IP67 with a standard RJ45 cable.



1 | Remove Kickstand

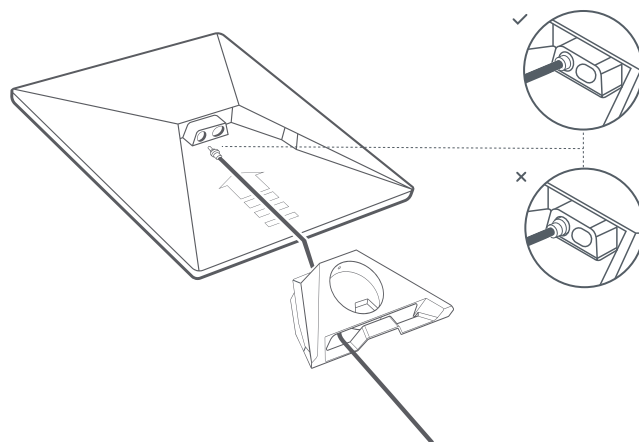
Squeeze the release tab and pull it away from its fixed location.



2 | Route Cable Through Pipe Adapter and Plug In Cable

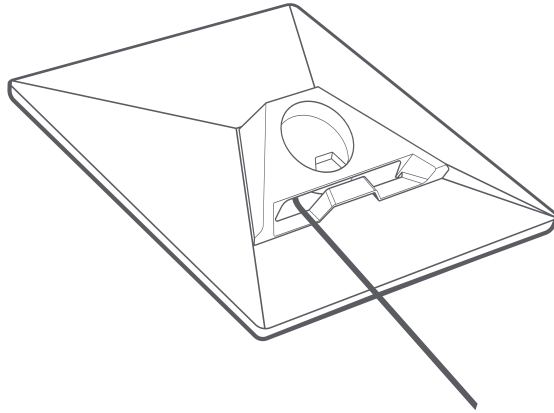
Route the Starlink cable through the opening in the pipe adapter and out the front end.

Plug the cable into your Starlink and ensure the plug is fully inserted such that the plug face is flush with the surface.



3 | Install Pipe Adapter

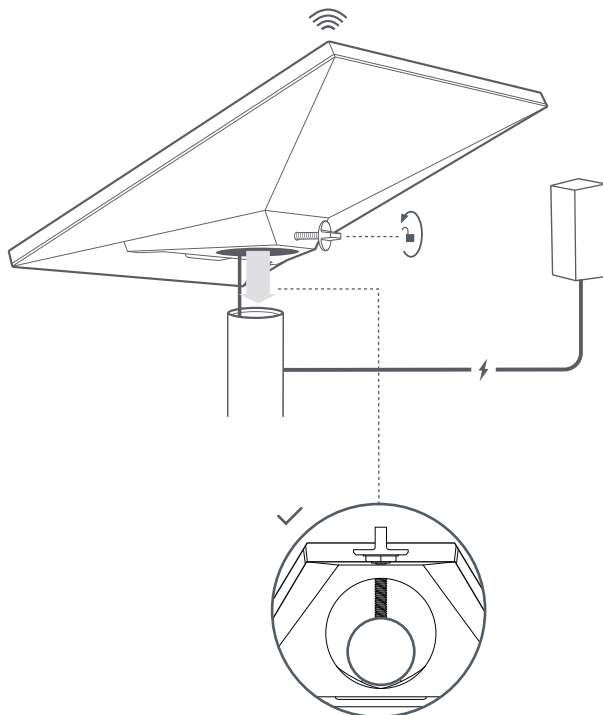
Slide the mount into your Starlink until it clicks into place.



4 | Mount Starlink to Pipe

Loosen the locking thumbscrew and slide the Pipe Adapter onto your mounting pipe. Temporarily tighten the thumbscrew to stabilize Starlink onto pipe.

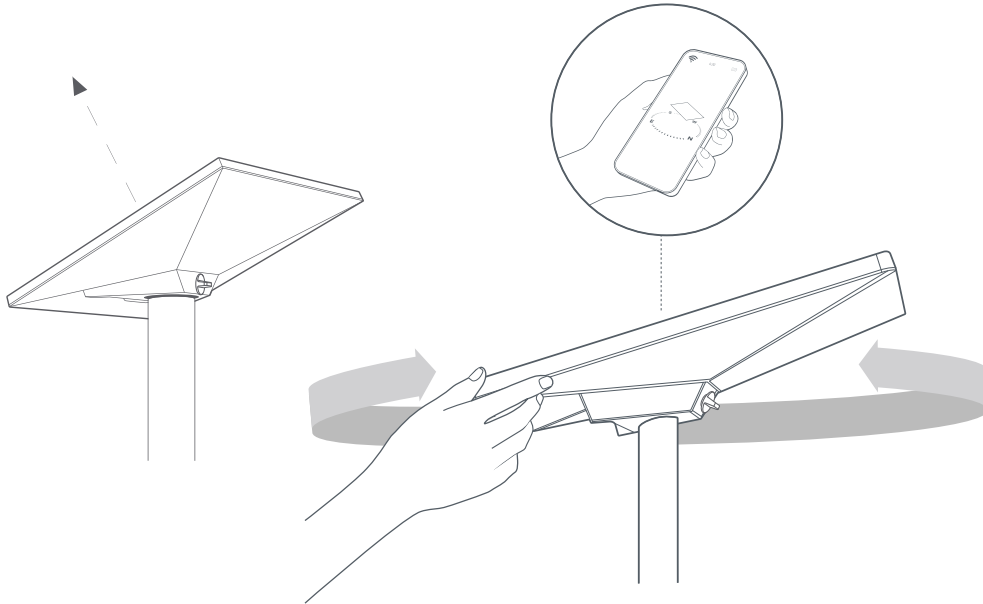
Connect the other end of the Starlink cable to the power supply and plug it into power outlet.



5 | Align Your Starlink

An alert on the App will show if you need to rotate Starlink to be properly aligned.

Click the alert to use the alignment tool.



6 | Lock Alignment

Tighten the thumbscrew on the Pipe Adapter Mount to lock your Starlink in place.

Ensure your Starlink is firmly attached.

